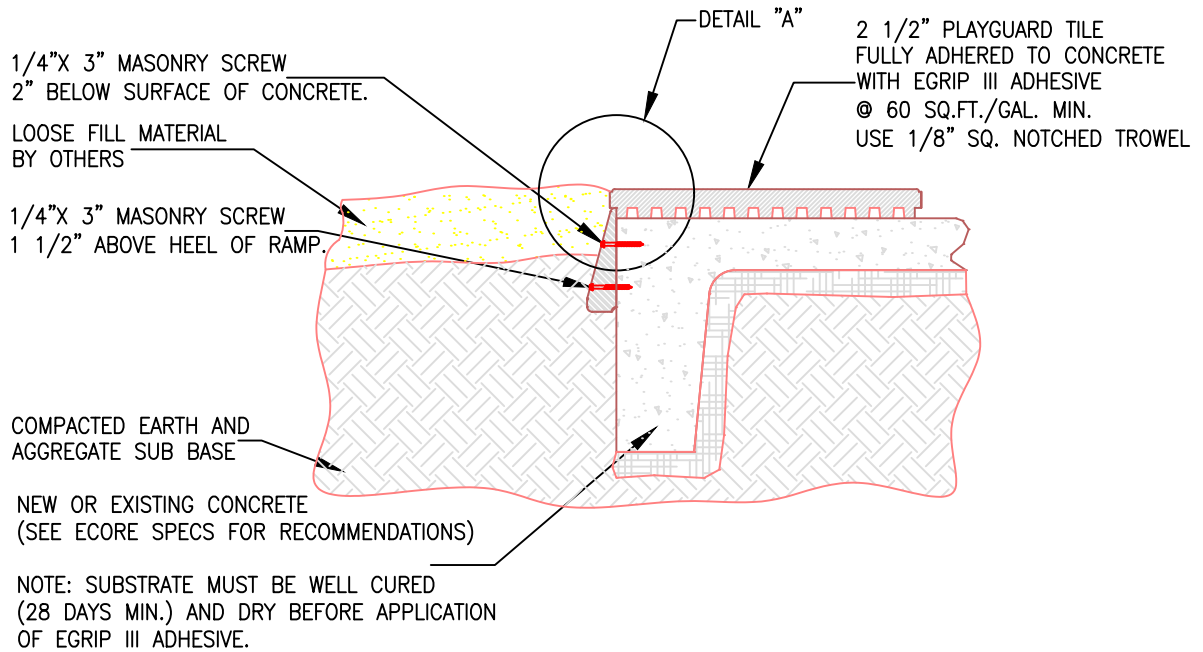


PLAYGUARD[®]

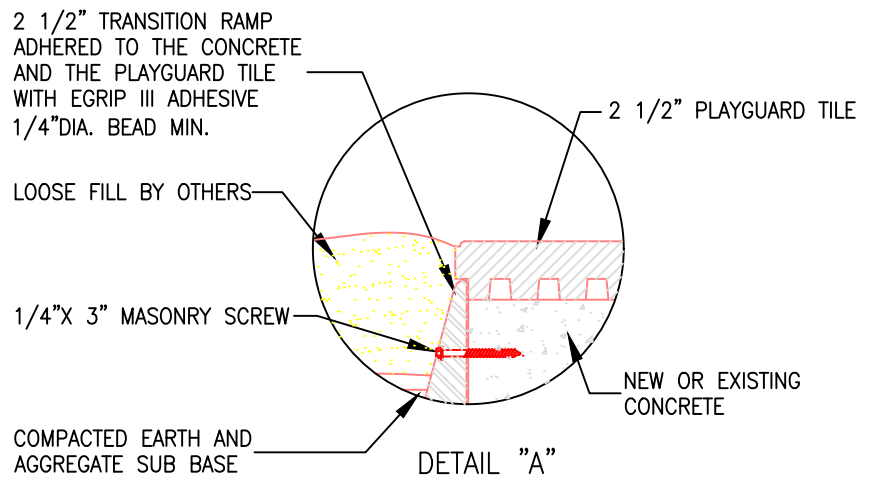
SAFETY SURFACING

ecore

715 FOUNTAIN AVENUE
 LANCASTER, PA 17601
 TOLL FREE: 1-800-851-4746
 PHONE: (717)295-3400
 FAX: (717)295-3414
 www.playguardsurfacing.com

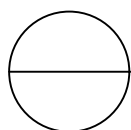


THE EDGE TREATMENT AS SHOWN HAS NOT YET BEEN CERTIFIED FOR CPSC DROP COMPLIANCE. THIS EDGE TREATMENT SHOULD ONLY BE USED OUTSIDE THE FALL ZONE OF THE PLAYS.



NOTES:

1. INSTALLATION TO BE COMPLETED IN ACCORDANCE WITH MANUFACTURER'S SPECIFICATIONS.
2. DO NOT SCALE DRAWINGS.
3. COLOUR TO BE CONFIRMED WITH OWNER PRIOR TO INSTALLATION.



BELOW GRADE, HARD BASE W/ LOOSE BACKFILL

PLAYGUARD