

INSTALLATION INSTRUCTIONS



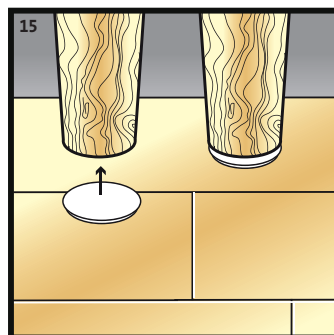
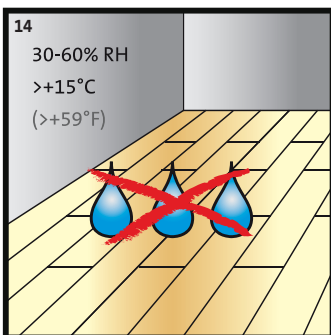
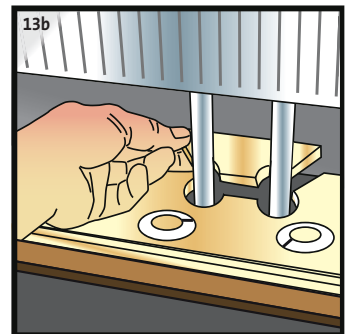
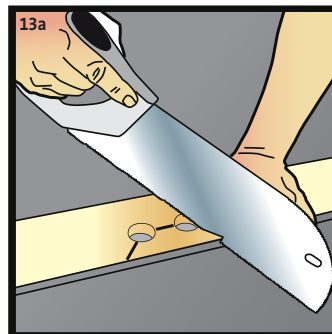
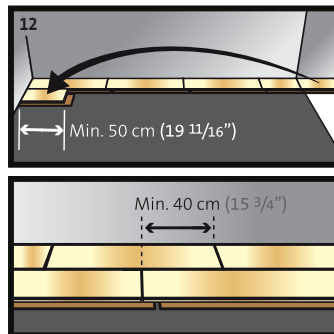
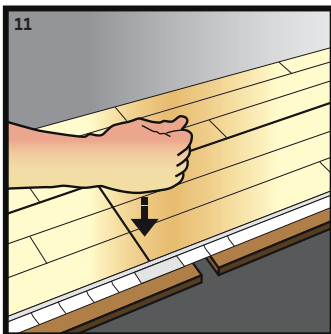
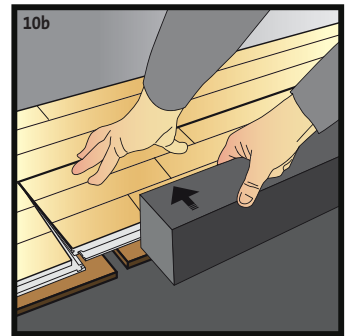
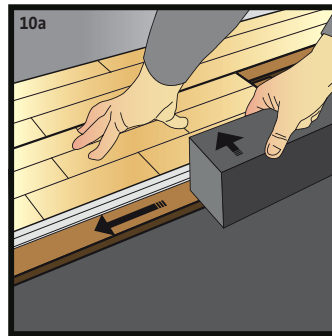
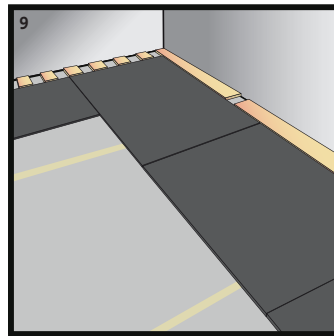
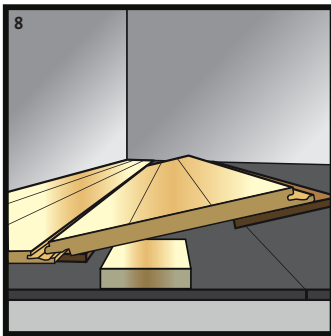
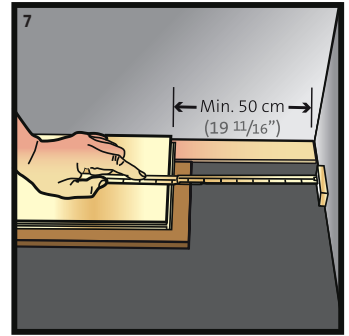
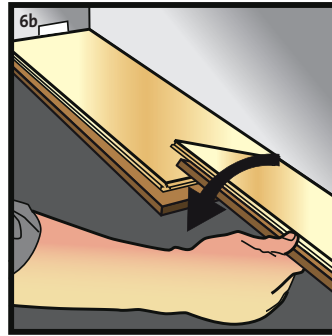
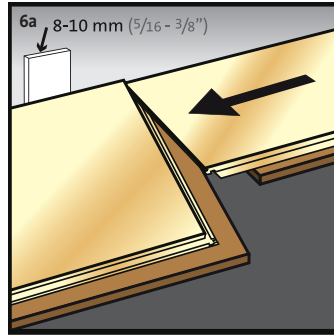
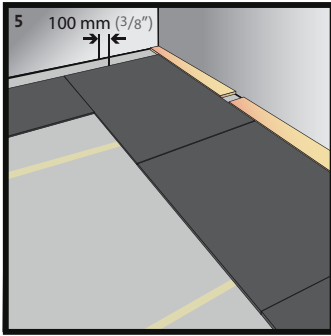
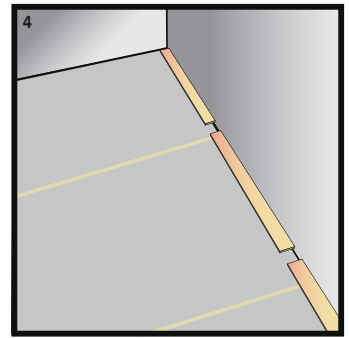
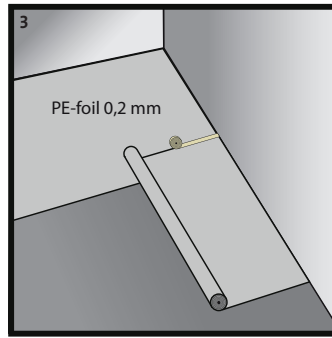
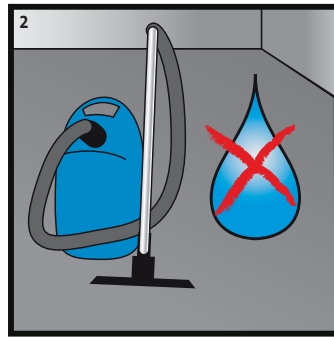
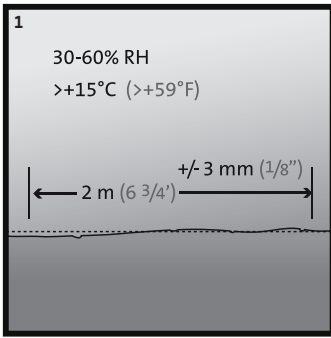
Actiflex Stadium

Always store the hardwood flooring in dry conditions and do not open the cartons until just before use. Our quality controllers have sorted and graded the parquet. Should there be any doubt concerning grading and/or visual defects, it is important that claims be made prior to the flooring being installed. For more information on BOEN Sport and BOEN products, please visit: www.boensport.com

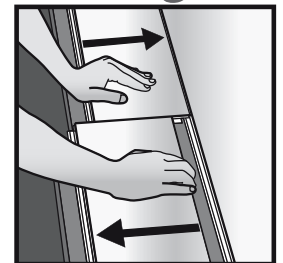
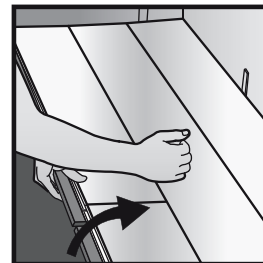
INSTALLATION INSTRUCTIONS

1. Check the sub-flooring and the climatic conditions.
2. Vacuum the sub-flooring before commencing installation.
3. It is recommended to lay the parquet lengthwise to the main source of light, so as to take into account the lights' angle of incidence. The laying of the floor must be carefully considered before beginning the installation process, so as to avoid final boards being too short or narrow against the wall. Measure the room before commencing installation. It is imperative that a 0,20mm thick layer of plastic, taped at the joins, is laid on the concrete sub-flooring.
4. Begin by laying the perimeter strips which are supplied, 15mm x 100mm, along the wall, in the direction the parquet is to be laid.
5. Lay the Actiflex underlay 2000mm x 1500mm x 8mm against the row of supporting boards. The underlay must not be laid less than 100mm from the side walls.
6. Place the first board with the tongue facing the wall and the groove facing outwards. There must be a minimum clearance along the wall of 8 - 10mm (1.5mm per metre room width). The next board is laid at an angle (approx. 30°) against the end join and pressed down. Continue in this way until the first row is laid.
7. Begin the second row with the off-cut board from the first row, which must be a minimum of 50cm.
8. Cut support blocks 15mm x 100mm x 70mm and place them under the Actiflex boards at the ends of each row.
9. The Actiflex mats are gradually laid as the floor is installed. The off-cut from the first row is used to start the next row, this ensures that the mats are laid randomly and remain in place.
10. Use a light knock with a tapping block, e.g. 10cm x 10cm or similar, against the lower edge of the parquet, while pressing down the row of boards against the underlay, such that the boards slip into place.
11. By pressing the board at the end, the tongue will yield and "lock" the boards together.
12. Continue laying the next row, using the off-cut from the previous row. Ensure that there is a minimum overlap of 40cm between the boards.
13. Apertures for piping etc. must be as spaciouly as possible so as to allow for free movement of the floor. The apertures are then covered with pipe-collars.
14. After the flooring is installed it is still important to ensure that the room remains temperate with a relative humidity of between 30 and 60%. Clean the floor using a dry dust mop or vacuum cleaner. If the floor needs to be washed it is important that the use of water is kept to a minimum. Do not allow water to dry on the surface of the parquet.
15. BOEN recommend the use of floor protectors under furniture and chair legs to protect the surface of the flooring.





Remove/Demontage



EN 14342



Density:
Thickness:
Reaction to fire:
Emission of Formaldehyd:
Content of Pentachlorophenol:

>= 550 kg/m³
14 mm
Dfl-s1
E1
not detected

