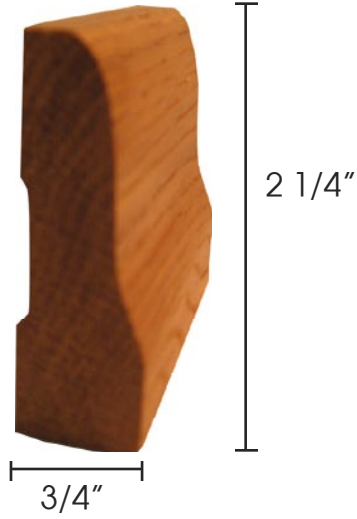
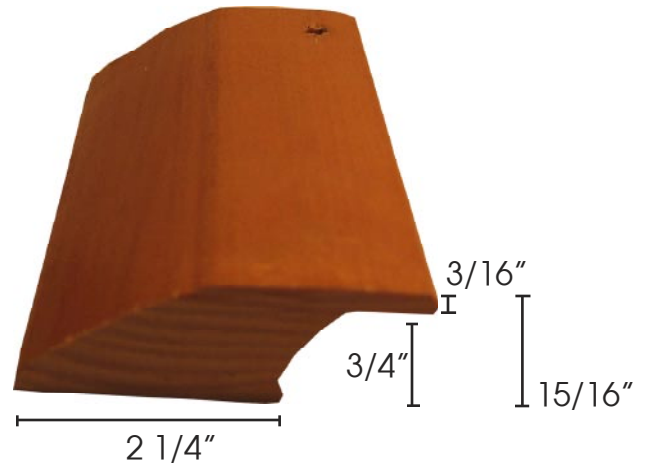


transitions & moldings

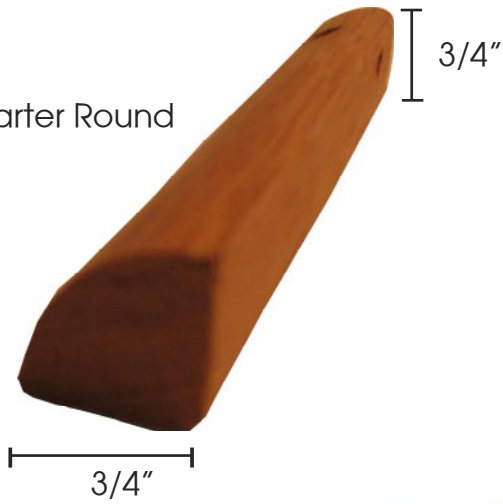
Base & Moldings



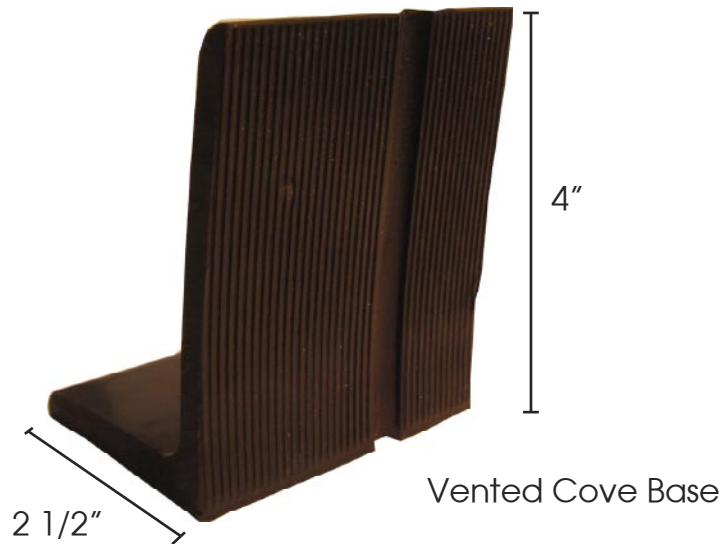
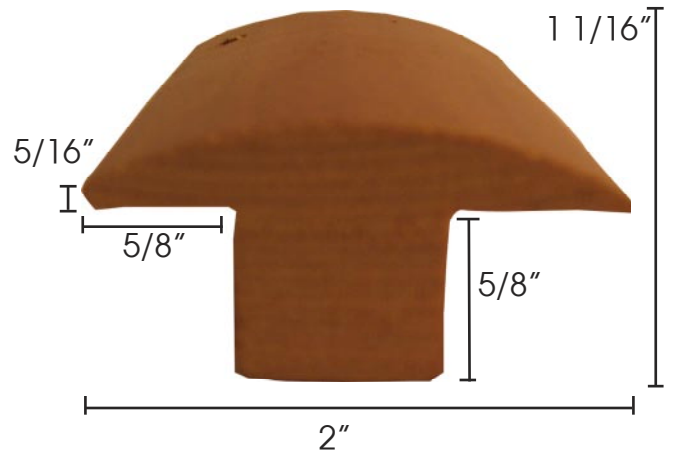
Overlap Reducer



Quarter Round



T-Molding



Vented Cove Base